

LIV DBB
Injection Ball Valve

Type IB13

Principle

The LIV DBB injection ball valve injects a fluid into the process at full operating pressure and temperature. It has 2 ball valves for isolation and 1 needle valve for bleed and an injection quill. The size of the probe is ½" sch. 80. The length is determined by the customer, however it is recommended that the quill is inserted half of inner pipe diameter into the pipe. Wake frequency calculations according to the latest standards can be performed. If necessary, quill support or quill profiling can be supplied to overcome high frequencies. A non-return valve can be supplied to secure that process fluid is not leaking in case of valve operation failure. The LIV DBB injection ball valve solutions offer cost, weight, and space saving.

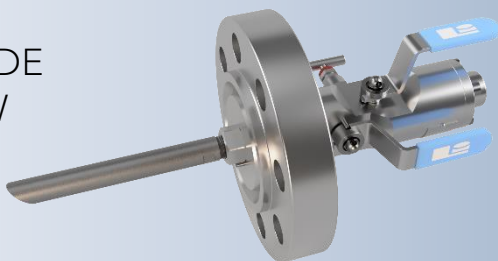
Construction

- The valve body is machined from a round bar stock material or from forged material standard.
- The raw material of the valve can be supplied according to NORSOK M 630 or to customer's specific requirements.
- The valve spindle is anti-blow out design with PTFE back seat gaskets.
- The injection valve has a ball with 10 mm bore.
- The ball valves have PEEK seats. The ball is polished for low friction.
- The process connection is flanged, and injection outlet is ½" NPT int. Quill size is ½" sch. 80.
- The injection inlet is ½" NPT int.
- The handle has a plastic sleeve for protection.
- The dust covers are coloured for application indication (vent)
- The valves are designed for PED 2014/68/EU.

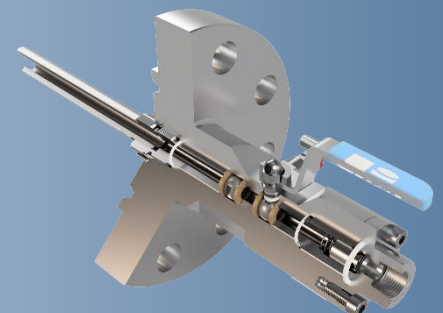
Technical Data

Flange size	1" - 2".
Pressure rating	150 lbs - 2500 lbs.
Outlet connection	½" NPT int.
Material	AISI 316 (standard), A350LF2, 22Cr Duplex, 25Cr Duplex, 6Mo, Titanium, other materials on request.
Packing & Seats	PTFE, PEEK.
Temperature	÷ 40 to +260 °C
Operation	Handle, T-bar, or Anti tamper.
Coating	Standard offshore, to customer's spec., or none

OUTSIDE
VIEW



CUTAWAY
VIEW





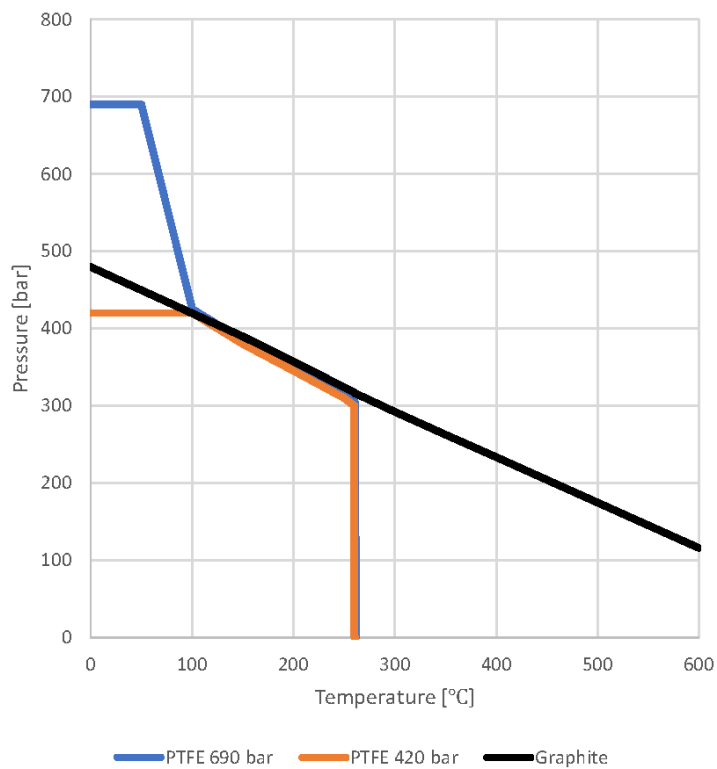
Testing and Documentation

- Material certificate to EN 10204-3.1
- Certificate of compliance to NACE MR 01-75 or EN 15156
- PMI test
- Pressure test certificate
- Fire safe tested acc. to EN 10497, API 607, BS 6755 part 2, ISO 5208
- Penetrant test on valve body to ASME BPV, ISO 3452-1 2021
- Fugitive emission to ISO 15848-1

Accessories

- In line non-return valve
- Plugs for the bleed connection
- Lockable handles

Pressure and Temperature Rating



HOW TO ORDER

Choose a code for each of the configuration steps. For special orders, please reach out to our sales team.

1 VALVE SIZE		2 VENT BONNET SELECTION		3 PRESSURE RATING (FLANGE)				
5	1"	2	Needle (SN)	01	150 lbs			
6	1 ½"	3	Anti-tamper (AN)	03	300 lbs			
7	2"	4	Needle, bolted	06	600 lbs			
		5	Anti-tamper	15	1500 lbs			
				25	2500 lbs			
4 VALVE TYPE								
	<i>Body material</i>			<i>Trim material</i>				
01	A350 LF2			AISI 316				
02	A182 316			AISI 316				
04	A182 22Cr. Duplex			22Cr. Duplex				
06	A182 25Cr. Duplex			25Cr. Duplex				
08	A182 6Mo			6Mo				
10	Titanium			Titanium				
11	Monel 400			Monel 400				
12	Hastelloy C-279			Hastelloy C-279				
13	Inconel 625			Inconel 625				
14	Inconel 825			Inconel 825				
5 FLANGE FACING		6 SEALS		7 BLEED CONNECTION		8 INJECTION PROBE		
F	Raised face		T	PTFE		14	¼" NPT int.	
T	Ring type joint		G	Graphite		12	½" NPT int.	
						13	½" BSPP int.	

Example: Type IB13-52.0302FT12.1-XXX

Injection ball valves with double block & bleed, valve size 1", T-bar, 300 lbs rating with RF facing, body in 316, needle packing in PTFE, 1/2" NPT int. bleed connection, 1/2" NPT injection probe, probe length in mm.