

LIV 2 VALVE MANIFOLD

## SERIES 2T0

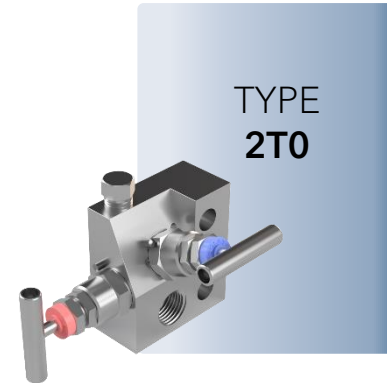
For direct transmitter  
mounting with connection  
out of centre line

## Principle

LIV valve manifold is directly mounted on a pressure transmitter.  
The manifold has 1 isolating and 1 vent valve.

## Construction.

- The valve body is machined from a rectangular bar stock material.
- The raw material of the manifolds can be supplied according to NORSOK M 630 or to customer's specific requirements.
- The inlet connection is ½" NPT int. (standard), or ¼" NPT int.
- The outlet connection (transmitter side) are according to EN/IEC 61518 type A (standard) or type B
- The valve spindle thread is external to stuffing box.
- The manifolds have back-seating and non-rotating valve tip
- The dust covers are coloured for application indication (isolate, vent)
- The manifolds are designed for PED 2014/68/EU.



## Technical Data

|                 |  |
|-----------------|--|
| Material        | AISI 316 (standard), 22Cr Duplex, 25Cr Duplex, other materials on request. |
| Packing         | PTFE, Graphite   |
| Pressure rating | 6000 psi (420 bar)   |
| Temperature     | ÷40 to +120 °C.  |
| Operation       | T-bar, Anti tamper, Anti tamper lockable                                   |

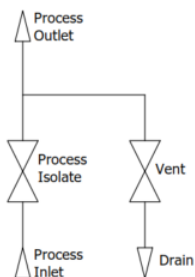
## Testing and Documentation

- Material certificate to EN 10204-3.1
- Certificate of compliance to NACE MR 01-75 or EN 15156
- Optional: cleaned for oxygen and hydrogen
- Pressure test certificate

## Accessories

- 7/16" UNF x 45 mm or M10 x 25 mm bolts and gasket for transmitter mounting

## FLOW DIAGRAM



## HOW TO ORDER

Choose a code for each of the configuration steps. For special orders, please reach out to our sales team.

| 1 VALVE TYPE |                      | 2 MANIFOLD CONNECTION INLET |                      | 3 MANIFOLD CONNECTION OUTLET |                                      |
|--------------|----------------------|-----------------------------|----------------------|------------------------------|--------------------------------------|
| 2T0          | 2 valve              | 1                           | ¼" NPT int.          | A                            | With spigot                          |
|              |                      | 3                           | ½" NPT int.          | B                            | Without spigot                       |
| 4 MATERIAL   |                      |                             |                      |                              |                                      |
|              | <i>Body material</i> |                             | <i>Trim material</i> |                              |                                      |
| 02           | A479 316             |                             | AISI 316             |                              |                                      |
| 04           | A479 22Cr duplex     |                             | 22Cr. Duplex         |                              |                                      |
| 06           | A479 25Cr duplex     |                             | 25Cr. Duplex         |                              |                                      |
| 5 SEALS      |                      | 6 PRESSURE RATING           |                      | 7 VALVE OPERATION            |                                      |
| T            | PTFE solid           | 06                          | 6000 psi             | 01                           | 2 x T-bar                            |
| G            | Graphite             |                             |                      | 02                           | 2 x Anti tamper                      |
|              |                      |                             |                      | 03                           | 2 x Anti tamper lockable             |
|              |                      |                             |                      | 04                           | 1 x T-bar, 1 x Anti tamper           |
|              |                      |                             |                      | 05                           | 1 x T-bar, 1 x Anti tamper, lockable |

**Example:** Type 2T03A02T0601

2 valve manifold for direct transmitter mounting with drain connection, ½" NPT, EN61518 type A, AISI 316, PTFE, 6000 psi, T-bar