

LIV DBB NEEDLE VALVE

SERIES 3L2

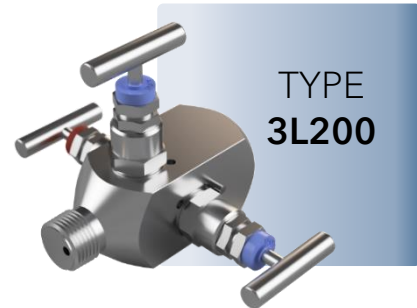
With 2 valves

Principle

LIV DBB Needle Valve has 2 valves for isolating and 1 valve for bleed/drain.

Construction

- The valve body is machined from a square bar stock material.
- The raw material of the valve can be supplied according to Norsok M 630 or to customer's specific requirements.
- The valve spindle thread is external to stuffing box.
- The valve has back-seating and non-rotating valve tip
- The dust covers are coloured for application indication (isolate, vent)
- The valves are designed for PED 2014/68/EU.



Technical Data

Material	AISI 316, A350LF2, 22Cr Duplex, 25Cr Duplex, 6Mo, Titanium, Monel 400, Hastelloy C, Inconel 625 and 825
Size	1/4" - 1/2"
Connection	NPT, BSP tread int. or ext., socket weld or butt weld ends. Drain: 1/4" NPT int
Packing	PTFE, Graphite.
Pressure rating	6000 psi (415 bar) or 10000 psi (690 bar).
Temperature	÷100 to +260 °C PTFE. ÷50 to +500 °C Graphite
Operation	T-bar, Anti tamper, Anti tamper lockable
Valve tip	Hardened
Type	3L200

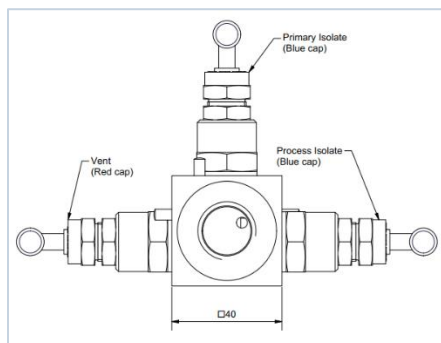
Testing and Documentation

- Material certificate to EN 10204-3.1
- Certificate of compliance to NACE MR 01-75 or EN 15156
- Optional: cleaned for oxygen and hydrogen
- Pressure test certificate

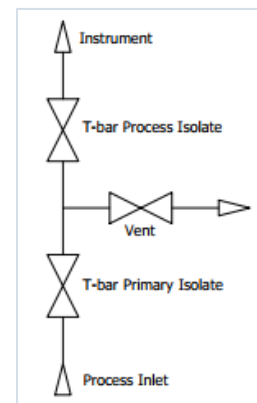
Accessories

- 1/4" NPT plugs for drain connection

DRAWING



FLOW DIAGRAM



HOW TO ORDER

Choose a code for each of the configuration steps. For special orders, please reach out to our sales team.

1 VALVE TYPE		2 VALVE SIZE		3 CONNECTION			
3L200	-	1	¼"	A1	NPT int. inlet	F1	BSPT int. inlet
	-	2	3/8"	A2	NPT ext. inlet	F2	BSPT ext. inlet
	-	3	½"	A3	NPT int. outlet	F3	BSPT int. outlet
				A4	NPT ext. outlet	F4	BSPT ext. outlet
				B1	BSPP int. inlet	C1	Socket weld inlet
				B2	BSPP ext. inlet	C2	Socket weld outlet
				B3	BSPP int. outlet		
				B4	BSPP ext. outlet		
4 VALVE MATERIAL							
	<i>Body material</i>		<i>Trim material</i>				
01	A350 LF2		AISI 316				
02	A479 316		AISI 316				
04	A479 22Cr. Duplex		22Cr. Duplex				
06	A479 25Cr. Duplex		25Cr. Duplex				
08	A479 6Mo		6Mo				
12	Titanium		Titanium				
13	Monel 400		Monel 400				
14	Hastelloy C-279		Hastelloy C-279				
5 SEALS		6 PRESSURE RATING		7 VALVE OPERATION			
T	PTFE solid	06	6000 psi	01	2 x T-bar		
G	Graphite	10	10000 psi	02	1 x T-bar, 1 x Anti tamper		
				03	2 x Anti tamper		
				04	1 x T-bar, 1 x Anti tamper		
				05	2 x Anti tamper lockable		

Example: Type 3L200.3.A2A3.02T0601

DBB Needle valve, ½" NPT ext./int., AISI 316, PTFE, 6000 psi, 3 x T-bar